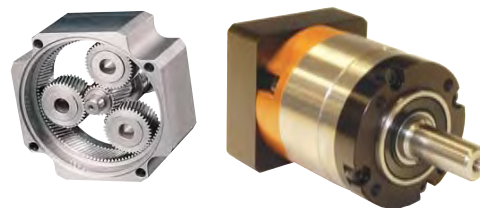
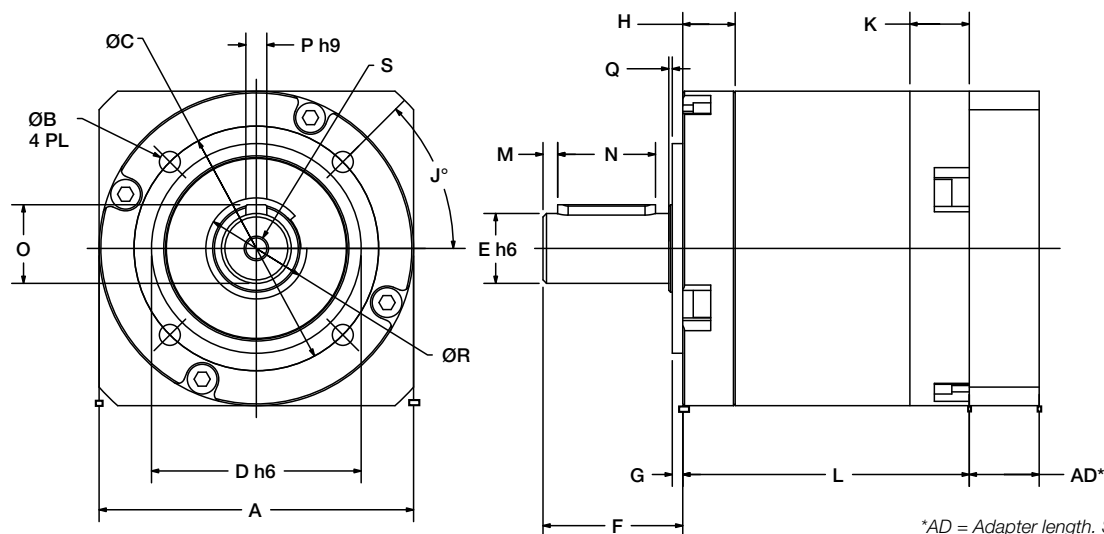


# PV Series Gearheads

## In-Line Planetary



### Dimensions – Tapped Face (TA & TN)



\*AD = Adapter length. See how to order page for mounting kit adapter lengths.

### Metric Frame Sizes

Frame Size	A		B		C		D		E		F		G		H		J	K							
	Body Diameter	mm	in	Tap x Depth	Bolt Circle	mm	in	Pilot Diameter	mm	in	Output Shaft Diameter	mm	in	Output Shaft Length	mm	in	Pilot Thickness	Flange Thickness	mm	in	Lead Angle °	Rear Thickness	mm	in	
PV40TN	43	1.693		M4x7	34	1.339	26	1.024	10	0.394	26	1.024	1.5	0.059	10	0.394	45	11	0.433						
PV40TA	50	1.969		M4X10	44	1.732	35	1.378	12	0.472	25	0.984	3	0.118	10	0.394	90	11	0.433						
PV60TN	62	2.441		M5x10	52	2.047	40	1.575	14	0.551	35	1.378	2.5	0.098	12	0.472	45	16	0.630						
PV60TA	70	2.756		M5x10	62	2.362	52	2.047	16	0.630	36	1.417	5	0.197	16	0.630	90	16	0.630						
PV90TN	90	3.543		M6x11	70	2.756	60	2.362	20	0.787	40	1.575	3	0.118	15	0.591	45	17	0.670						
PV90TA	90	3.543		M6x12	80	3.150	68	2.677	22	0.866	46	1.811	5	0.197	18.5	0.728	90	17	0.670						
PV115TN	115	4.528		M10x16	100	3.937	80	3.150	25	0.984	55	2.165	4	0.157	20	0.787	45	23	0.906						
PV115TA	120	4.724		M8x20	108	4.252	90	3.543	32	1.260	70	2.756	6	0.236	28	1.102	90	23	0.906						

Frame Size	L1		L2		M		N		O		P		Q		R		S						
	Length (3 – 10 Ratios)	mm	in	Length (15 – 100 Ratios)	mm	in	Distance from Shaft End	mm	in	Keyway Length	mm	in	Key Height	mm	in	Keyway Width	Shoulder Height	mm	in	Shoulder Diameter	mm	in	Tap & Depth (end of shaft)
PV40TN	48.5	1.909		63	2.480	3.1	0.122	16	0.630	10.2	0.402	3	0.118	0.6	0.024	11.633	0.458						M3X6
PV40TA	48.5	1.909		63	2.480	1.3	0.051	16	0.630	13.5	0.531	4	0.157	3.5	0.138	17.831	0.702						M4x8
PV60TN	63	2.480		83	3.268	2.71	0.107	25	0.984	16	0.630	5	0.197	2.5	0.098	19.939	0.785						M5x12
PV60TA	67	2.638		87	3.425	2.21	0.087	25	0.984	18	0.709	5	0.197	3	0.118	28	1.102						M5x12
PV90TN	82	3.228		105.5	4.154	4.197	0.165	28	1.102	22.5	0.886	6	0.236	1	0.039	25	0.984						M6x12
PV90TA	85.5	3.366		109	4.291	3.197	0.126	28	1.102	24.5	0.965	6	0.236	5	0.197	38	1.496						M8x13
PV115TN	102	4.016		136	5.354	5.2	0.205	40	1.575	28	1.102	8	0.315	1	0.039	35	1.378						M10x20
PV115TA	110	4.331		144	5.669	4	0.157	50	1.969	35	1.378	10	0.394	1.8	0.071	40	1.575						M12x22



# PV Series Gearheads

## In-Line Planetary

### How to Order

Use the tables below to configure your PV gearhead and motor mounting part number.

#### Gearhead Ordering Information

Order Example:		①	②	③	④	⑤
		PV	40	T	N	- 004

①	②	③	④	⑤	
Series	Frame Size	Front Face	Output Face Compatible	Ratio	
PV Power Versatility Series	40 40 mm	T Tapped (round)	A Alpha/Stober N Neugart	004 4:1 005 5:1	
		F Flanged (square)	B Parker Bayside (PX)	007 7:1 010 10:1 016 16:1 020 20:1 025 25:1	
		17 NEMA 17	F Flanged (square)	E NEMA (English)	035 35:1 040 40:1 050 50:1 070 70:1 100 100:1
			60 60 mm	T Tapped (round)	A Alpha/Stober N Neugart
	F Flanged (square)			B Parker Bayside (PX) N Neugart	005 5:1 007 7:1
	23 NEMA 23		F Flanged (square)	E NEMA (English)	010 10:1 012 12:1
	90 90 mm		T Tapped (round)	A Alpha/Stober N Neugart	015 15:1 020 20:1
			F Flanged (square)	B Parker Bayside (PX)	025 25:1
	34 NEMA 34	F Flanged (square)	E NEMA (English)	030 30:1 040 40:1	
	115 115 mm	T Tapped (round)	A Alpha/Stober N Neugart	050 50:1 070 70:1	
		F Flanged (square)	B Parker Bayside (PX)	100 100:1	
	42 NEMA 42	F Flanged (square)	E NEMA (English)		

#### Mounting Kit Ordering Information

Order Example:		⑥	⑦	⑧
		MV	60	XXX

⑥	⑦	⑧
Series	Frame Size	Factory Assigned
MV (Mounting kit for PV)	40 40 or 17	XXX See Motor Mounting Search Tool on <a href="http://parkermotion.com">parkermotion.com</a> or consult factory for part number
	60 60 or 23	
	90 90 or 34	
	115 115 or 42	

#### Mounting Kit Adapter Length\*

Frame Size	Motor Shaft Length		"AD"	
	mm	(in)	mm	(in)
40/17	12 thru 20	(0.472 thru 0.787)	13.7	(0.539)
	20.1 thru 25.4	(0.791 thru 1.000)	19.0	(0.748)
60/23	16 thru 25.4	(0.630 thru 1.000)	16.5	(0.650)
	25.4 thru 31.8	(1.004 thru 1.252)	22.5	(0.886)
90/34	20 thru 31.8	(0.787 thru 1.252)	20.0	(0.787)
	31.9 thru 40	(1.256 thru 1.575)	28.5	(1.122)
115/42	22 thru 40	(0.866 thru 1.575)	24.0	(0.945)
	40.1 thru 51	(1.579 thru 2.008)	35.0	(1.378)

\* Adapter length may vary depending on motor make and model.

